



# Bronze Guide Sleeve Installation Kit Kits

#3995 - 5mm Kit	
Part No.	Description
2028-C	Carbide Boring Reamer
2004	Reamer Bushing Kit
3610	Installation Driver
4454-P	Pneumatic Style Ball Pusher
5196	.196 Carbide Ball-Sizer
51965	.1965 Carbide Ball-Sizer
5197	.197 Carbide Ball-Sizer
5602	Trimming Tool
5636	Pilot for Trimming Tool
5800	Chamfer Tool
5870	T-Wrench for Chamfer Tool
7333	Universal Driver Attachment
7356	Removal Tool
1999-1	Nylon Valve Guide Brush
1998	Kit Box

#4020 - 6.6mm Kit	
Part No.	Description
2006-C	Carbide Boring Reamer
2001	Reamer Bushing Kit
3566	Installation Driver
4446-P	Pneumatic Style Ball Pusher
5260	.260 Carbide Ball-Sizer
5261	.261 Carbide Ball-Sizer
5262	.262 Carbide Ball-Sizer
5263	.263 Carbide Ball-Sizer
5602	Trimming Tool
5626	Pilot for Trimming Tool
5800	Chamfer Tool
5870	T-Wrench for Chamfer Tool
7333	Universal Driver Attachment
7342	Removal Tool
1999-1	Nylon Valve Guide Brush
1998	Kit Box

#4050 - 8mm Kit	
Part No.	Description
2008-C	Carbide Boring Reamer
2000	Reamer Bushing Kit
3500	Installation Driver
4444-P	Pneumatic Style Ball Pusher
5315	.315 Carbide Ball-Sizer
5316	.316 Carbide Ball-Sizer
5317	.317 Carbide Ball-Sizer
5318	.318 Carbide Ball-Sizer
5319	.319 Carbide Ball-Sizer
5600	Trimming Tool
5620	Pilot for Trimming Tool
5800	Chamfer Tool
5870	T-Wrench for Chamfer Tool
7333	Universal Driver Attachment
7320	Removal Tool
1999	Nylon Valve Guide Brush
1998	Kit Box

#4080 - 3/8" Kit	
Part No.	Description
2014-C	Carbide Boring Reamer
2000	Reamer Bushing Kit
3506	Installation Driver
4444-P	Pneumatic Style Ball Pusher
5373	.373 Carbide Ball-Sizer
5374	.374 Carbide Ball-Sizer
5375	.375 Carbide Ball-Sizer
5600	Trimming Tool
5624	Pilot for Trimming Tool
5800	Chamfer Tool
5870	T-Wrench for Chamfer Tool
7333	Universal Driver Attachment
7340	Removal Tool
1999	Nylon Valve Guide Brush
1998	Kit Box

#4000 - 5.5mm Kit	
Part No.	Description
2026-C	Carbide Boring Reamer
2002	Reamer Bushing Kit
3600	Installation Driver
4452-P	Pneumatic Style Ball Pusher
52165	.2165 Carbide Ball-Sizer
52175	.2175 Carbide Ball-Sizer
5218	.218 Carbide Ball-Sizer
5602	Trimming Tool
5634	Pilot for Trimming Tool
5800	Chamfer Tool
5870	T-Wrench for Chamfer Tool
7333	Universal Driver Attachment
7354	Removal Tool
1999-1	Nylon Valve Guide Brush
1998	Kit Box

#4030 - 7mm Kit	
Part No.	Description
2007-C	Carbide Boring Reamer
2001	Reamer Bushing Kit
3507	Installation Driver
4446-P	Pneumatic Style Ball Pusher
5276	.276 Carbide Ball-Sizer
5277	.277 Carbide Ball-Sizer
5278	.278 Carbide Ball-Sizer
5600	Trimming Tool
5626	Pilot for Trimming Tool
5800	Chamfer Tool
5870	T-Wrench for Chamfer Tool
7333	Universal Driver Attachment
7344	Removal Tool
1999-1	Nylon Valve Guide Brush
1998	Kit Box

#4060 - 11/32" Kit	
Part No.	Description
2012-C	Carbide Boring Reamer
2000	Reamer Bushing Kit
3504	Installation Driver
4444-P	Pneumatic Style Ball Pusher
5343	.343 Carbide Ball-Sizer
5344	.344 Carbide Ball-Sizer
53445	.3445 Carbide Ball-Sizer
5345	.345 Carbide Ball-Sizer
5600	Trimming Tool
5622	Pilot for Trimming Tool
5800	Chamfer Tool
5870	T-Wrench for Chamfer Tool
7333	Universal Driver Attachment
7330	Removal Tool
1999	Nylon Valve Guide Brush
1998	Kit Box

#4010 - 6mm Kit	
Part No.	Description
2024-C	Carbide Boring Reamer
2003	Reamer Bushing Kit
3600	Installation Driver
4452-P	Pneumatic Style Ball Pusher
5236	.236 Carbide Ball-Sizer
5237	.237 Carbide Ball-Sizer
5238	.238 Carbide Ball-Sizer
5602	Trimming Tool
5634	Pilot for Trimming Tool
5800	Chamfer Tool
5870	T-Wrench for Chamfer Tool
7333	Universal Driver Attachment
7352	Removal Tool
1999-1	Nylon Valve Guide Brush
1998	Kit Box

#4040 - 5/16" Kit	
Part No.	Description
2005-C	Carbide Boring Reamer
2000	Reamer Bushing Kit
3500	Installation Driver
4444-P	Pneumatic Style Ball Pusher
5312	.312 Carbide Ball-Sizer
53125	.3125 Carbide Ball-Sizer
5313	.313 Carbide Ball-Sizer
5600	Trimming Tool
5620	Pilot for Trimming Tool
5800	Chamfer Tool
5870	T-Wrench for Chamfer Tool
7333	Universal Driver Attachment
7310	Removal Tool
1999	Nylon Valve Guide Brush
1998	Kit Box

#4070 - 9mm Kit	
Part No.	Description
2018-C	Carbide Boring Reamer
2000	Reamer Bushing Kit
3512	Installation Driver
4444-P	Pneumatic Style Ball Pusher
5354	.354 Carbide Ball-Sizer
5355	.355 Carbide Ball-Sizer
5356	.356 Carbide Ball-Sizer
5600	Trimming Tool
5630	Pilot for Trimming Tool
5800	Chamfer Tool
5870	T-Wrench for Chamfer Tool
7333	Universal Driver Attachment
7348	Removal Tool
1999	Nylon Valve Guide Brush
1998	Kit Box

# Bronze-Liners for Valve Guides



## Bronze-Liners

Part No.	Size
S-500	5mm (.197") x 2.000" Long - Standard
S-550	5.5mm (.216") x 2.500" Long - Standard
U-599	6mm (.234") x 2.500" Long - Undersize
S-600	6mm (.236") x 2.500" Long - Standard
S-602	6.07mm (.239") x 2.500" Long - Standard
S-610	6mm (.236") x 3.000" Long - Standard
S-660	6.6mm (.260") x 2.500" Long - Standard
U-699	7mm (.274") x 2.500" Long - Undersize
U-6993	7mm (.274") x 3.000" Long - Undersize
S-700	7mm (.276") x 2.500" Long - Standard
S-710	7.09mm (.276") x 3.000" Long - Standard
S-713	7.14mm (.279") x 2.500" Long - Standard
S-715	7mm (.281") x 2.500" Long - Standard
U-1112	5/16" (.310") x 2.000" Long - Undersize
U-1122	5/16" (.310") x 2.500" Long - Undersize
U-1132	5/16" (.310") x 3.000" Long - Undersize
S-1210	5/16" (.312") x 2.000" Long - Standard
S-1220	5/16" (.312") x 2.500" Long - Standard
S-1230	5/16" (.312") x 3.000" Long - Standard
U-1302	8mm (.3125") x 2.500" Long - Undersize
U-1312	8mm (.313") x 2.000" Long - Undersize
U-1322	8mm (.313") x 2.500" Long - Undersize
S-1332	8mm (.313") x 3.000" Long - Undersize
S-1410	8mm (.315") x 2.000" Long - Standard
S-1420	8mm (.315") x 2.500" Long - Standard
S-1430	8mm (.315") x 3.000" Long - Standard
S-1440	8.05mm (.317") x 2.500" Long - Standard
S-1450	8.05mm (.317") x 3.000" Long - Standard
U-1522	11/32" (.341") x 2.250" Long - Undersize
U-1532	11/32" (.341") x 2.500" Long - Undersize
U-1525	11/32" (.338") x 2.250" Long - Undersize
U-1535	11/32" (.338") x 2.500" Long - Undersize
U-1541	11/32" Special (.338") x 2.500" Long - Undersize
S-1620	11/32" (.343") x 2.250" Long - Standard
S-1630	11/32" (.343") x 2.500" Long - Standard
S-1640	11/32" (.343") x 3.000" Long - Standard
S-1641	11/32" Special (.343") x 2.500" Long - Standard
S-1690	9mm (.354") x 2.500" Long - Standard
U-1712	3/8" (.371") x 2.250" Long - Undersize
U-1722	3/8" (.371") x 2.500" Long - Undersize
U-1732	3/8" (.371") x 3.000" Long - Undersize
U-1715	3/8" (.368") x 2.250" Long - Undersize
U-1725	3/8" (.368") x 2.500" Long - Undersize
U-1735	3/8" (.368") x 3.000" Long - Undersize
S-1810	3/8" (.373") x 2.250" Long - Standard
S-1821	3/8" (.373") x 2.625" Long - Standard
S-1830	3/8" (.373") x 3.000" Long - Standard
S-1831	3/8" (.374") x 3.000" Long - Undersize

## Standard Bronze-Liners for Over-Bored Valve Guides

Part No.	Size
S-1640-2	11/32 (.343") x 3.000" Long Fits a .375" bore instead of .372"
S-1820-2	3/8" (.373") x 2.500" Long Fits a .406" bore instead of .404"
S-1820-4	3/8" (.373") x 3.00" Long Fits a .408" bore instead of .404"

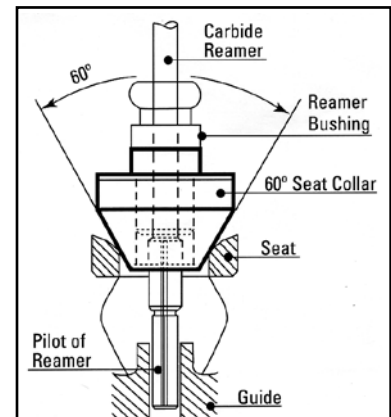


## 60° Seat Collar Kit

### Part No. 6500

60 degree seat collars align from the lower portion of the valve seat. This provides an extremely accurate and stable position.

Kit contains six seat collars; sizes from 1" diameter to 2-1/4".



**CLASSIC**  
Engine Supplies, Inc.

www.classicenginesupplies.com

47 Fairway Crescent  
Amherstburg, Ontario, CN N9V 3T5  
Shop 519.776.5608  
Shop Toll Free 888.776.5608  
Office 519.736.1351 Fax 519.736.1940  
Frank Pavlich

3393 Lincoln Road, Unit 8  
Hamilton, MI 49419  
269.264.1200 Fax 269.264-1127  
Toll Free 1-800-393-0544  
George Hoving

08-2012